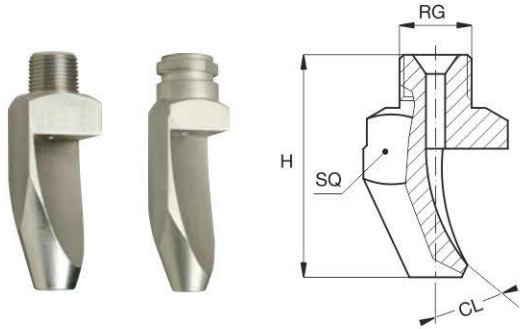


FLAT FAN JET NOZZLES

K



HIGH IMPACT TYPES

Our K style flat fan jet nozzles work on a deflection principle; liquid flow is directed through the nozzle orifice onto a specifically engineered surface. This produces a narrow liquid jet with a flat fan jet spray pattern, high impact value and with medium size droplets. The round outlet orifice on these nozzles and the unobstructed inside passages minimize the risk of clogging.

K style nozzles shown on this page are available with a threaded connection and for the flow capacities shown in the page; they are also available with a quick coupling connection for assembly onto the matching quick connection nipple. See ZHS fittings at the bottom of the page.

- Materials**
- B1 AISI 303 Stainless steel
 - B31 AISI 316L Stainless steel
 - T1 Brass

Thread size code

KOx	1/8
KPx	1/4
KQx	3/8
KRx	1/2
KSx	3/4
KTx	QC

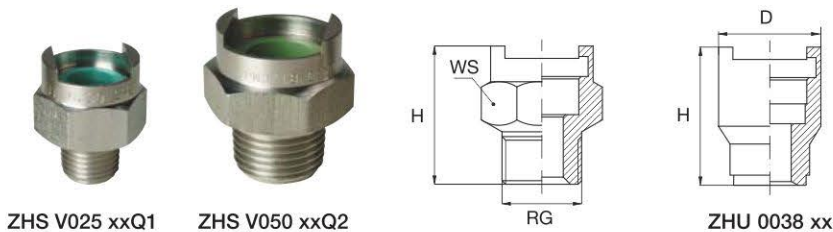
How to compose the nozzle code

The nozzle shown on this page can be supplied with the same flow capacity but with a different connection thread. The size indicated by the second digit in the nozzle code. Therefore, the nozzle code is shown in the following example.

KQB 2195 B31
 |
3/8

Quick coupling nipples


	Thread size inch	Standard size	Large size	H mm	WS mm	D mm
Male nipple	1/4	ZHS 0025 xx		29	22	
	3/8	ZHS 0038 xx		29	22	
	1/2		ZHS 0050 xx	35	30	
Female nipple	3/8	ZHT 0038 xx		29	22	
Welding nipple		ZHU 0038 xx	ZHU 0050 xx	32		28
Seal (Viton) for SS nipples	All	VDH 0026 E7	VDH 0050 E7			
Seal (BUNA) for brass nipples	All	VDH 0026 E8	VDH 0050 E8			



FLAT FAN JET NOZZLES

K

HIGH IMPACT TYPES

	1/8	1/4	3/8	1/2	3/4	QC	Code	DIA	Capacity							CL	H deg	SQ mm	mm	
									at different pressure values											bar
									mm	2.0	3.0	4.0	5.0	6.0	7.0					
15°									1390	1.9	3.18	3.90	4.50	5.03	5.52	5.96	7.12	22	48	15
									1780	2.6	6.37	7.80	9.01	10.1	11.0	11.9	14.2	19	54	15
									2117	3.2	9.55	11.7	13.5	15.1	16.5	17.9	21.4	25	72	20
									2156	3.7	12.7	15.6	18.0	20.1	22.1	23.8	28.5	18	92	20
									2195	4.2	15.9	19.5	22.5	25.2	27.6	29.8	35.6	15	90	20
									2230	4.6	18.8	23.0	26.6	29.7	32.5	35.1	42.0	14	125	25
									2310	5.3	25.3	31.0	35.8	40.0	43.8	47.4	56.6	14	130	25
									2390	5.9	31.8	39.0	45.0	50.3	55.2	59.6	71.2	14	137	25
2780	8.4	63.7	78.0	90.1	101	110	119	142	14	191	30									
25°		KPD							2156	3.7	12.7	15.6	18.0	20.1	22.1	23.8	28.5	25	65	20
35°	KOH								1160	1.2	1.31	1.60	1.85	2.07	2.26	2.44	2.92	40	23	12
									1390	1.9	3.18	3.90	4.50	5.03	5.52	5.96	7.12	36	37	15
									1780	2.6	6.37	7.80	9.01	10.1	11.0	11.9	14.2	30	43	20
									1980	2.9	8.00	9.80	11.3	12.7	13.9	15.0	17.9	28	49	20
									2117	3.3	9.55	11.7	13.5	15.1	16.5	17.9	21.4	28	52	20
									2156	3.7	12.7	15.6	18.0	20.1	22.1	23.8	28.5	26	58	20
									2195	4.1	15.9	19.5	22.5	25.2	27.6	29.8	35.6	23	64	20
									2230	4.5	18.8	23.0	26.6	29.7	32.5	35.1	42.0	22	73	25
									2310	5.3	25.3	31.0	35.8	40.0	43.8	47.4	56.6	24	81	25
									2390	5.9	31.8	39.0	45.0	50.3	55.2	59.6	71.2	19	89	25
2630	7.5	51.4	63.0	72.7	81.3	89.1	96.2	115	23	114	32									
2780	8.4	63.7	78.0	90.1	101	110	119	142	22	122	32									
40°									2156	3.7	12.7	15.6	18.0	20.1	22.1	23.8	28.5	35	60	20
									2195	4.1	15.9	19.5	22.5	25.2	27.6	29.8	35.6	33	64	25
									2230	4.5	18.8	23.0	26.6	29.7	32.5	35.1	42.0	33	72	25
									2270	5.0	22.0	27.0	31.2	34.9	38.2	41.2	49.3	29	75	25
									2310	5.2	25.3	31.0	35.8	40.0	43.8	47.4	56.6	26	77	25
									2350	5.7	28.6	35.0	40.4	45.2	49.5	53.5	63.9	28	77	25
									2390	6.0	31.8	39.0	45.0	50.3	55.2	59.6	71.2	28	87	25
50°		KPN							1390	1.9	3.18	3.90	4.50	5.03	5.52	5.96	7.12	60	31	15
									1980	2.9	8.00	9.80	11.3	12.7	13.9	15.0	17.9	42	41	20
									2156	3.7	12.7	15.6	18.0	20.1	22.1	23.8	28.5	45	47	20
									2230	4.5	18.8	23.0	26.6	29.7	32.5	35.1	42.0	37	55	25
									2390	6.0	31.8	39.0	45.0	50.3	55.2	59.6	71.2	40	72	30
									2490	6.7	40.0	49.0	56.6	63.3	69.3	74.8	89.5	38	72	30
									2630	7.5	51.4	63.0	72.7	81.3	89.1	96.2	115	37	72	30
									2780	8.4	63.7	78.0	90.1	101	110	119	142	32	72	30

Nozzle dimensions

Some nozzles may have different dimensions even when made with the same thread.

Dimensions given above always refer to the largest nozzle with a given thread size.

Please contact our offices for more detailed information.

Typical Applications

Washing of fruits, vegetables, crushed stones and any other product moving on a conveyor.

High pressure cleaning processes

Felt washing in paper making machines.