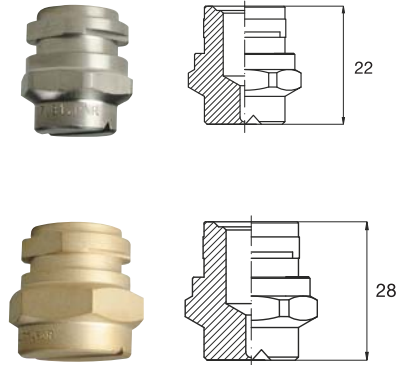


**QUICK-CONNECT NOZZLES**

**HT**



**STANDARD AND LARGE CAPACITY**

Flat fan jets of the HT series offer the same specifications as our standard nozzle types but are manufactured with a quick coupling system. This allows for quick and easy assembly without the use of tools and automatically aligns the spray pattern correctly.

The optimum performance of your system or machine is then conveniently safeguarded with a noticeable reduction in service cost and production downtime.

We offer capacities from 3.1 to 78 lpm over the standard range of spray angles and a matching range of threaded male or female connections or welding nipples.

- Materials**
- B1**    AISI 303 Stainless steel
  - B31**   AISI 316L Stainless steel
  - T1**     Brass

*Standard capacity tips*

HTA 0°	HTL 40°	HTN 50°	HTR 65°	HTV 95°	HTJ 110°	Code	Capacity at different pressure values									lpm bar
							0.5	1.0	1.5	2.0	3.0	4.0	5.0	7.0	10	
						1310	1.27	1.79	2.19	2.53	3.10	3.58	4.00	4.74	5.66	
						1385	1.57	2.22	2.72	3.14	3.85	4.45	4.97	5.88	7.03	
						1490	2.00	2.83	3.46	4.00	4.90	5.66	6.33	7.48	8.95	
						1581	2.37	3.35	4.11	4.74	5.81	6.71	7.50	8.87	10.6	
						1780	3.18	4.50	5.52	6.37	7.80	9.01	10.1	11.9	14.2	
						1980	4.00	5.66	6.93	8.00	9.80	11.3	12.7	15.0	17.9	
						2124	5.06	5.85	8.77	10.1	12.4	14.3	16.0	18.9	22.6	
						2153	6.25	7.20	10.8	12.5	15.3	17.7	19.8	23.4	27.9	
						2194	7.96	9.20	13.8	15.9	19.5	22.5	25.2	29.8	35.6	

*Large capacity tips*

HTA 0°	HTL 40°	HTN 50°	HTR 65°	HTV 95°	HTJ 110°	Code	Capacity at different pressure values									lpm bar
							0.5	1.0	1.5	2.0	3.0	4.0	5.0	7.0	10	
						2310	12.7	17.9	21.9	25.3	31.0	35.8	40.0	47.4	56.6	
						2390	15.9	22.5	27.6	31.8	39.0	45.0	50.3	59.6	71.2	
						2470	19.2	27.1	33.2	38.4	47.0	54.3	60.7	71.8	85.8	
						2590	24.1	34.1	41.7	48.2	59.0	68.1	76.2	90.1	108	
						2780	22.5	45.0	55.2	63.7	78.0	90.1	101	119	142	

*Ordering Codes*

	Thread size inch	Standard size	Large size	H mm	WS mm	D mm
Male nipple	1/4	ZHS 0025 xx		29	22	
	3/8	ZHS 0038 xx		29	22	
	1/2		ZHS 0050 xx	35	30	
Female nipple	3/8	ZHT 0038 xx		29	22	
Welding nipple		ZHU 0038 xx	ZHU 0050 xx	32		28
Seal (Viton) for SS nipples	All	VDH 0026 E7	VDH 0050 E7			
Seal (BUNA) for brass nipples	All	VDH 0026 E8	VDH 0050 E8			

