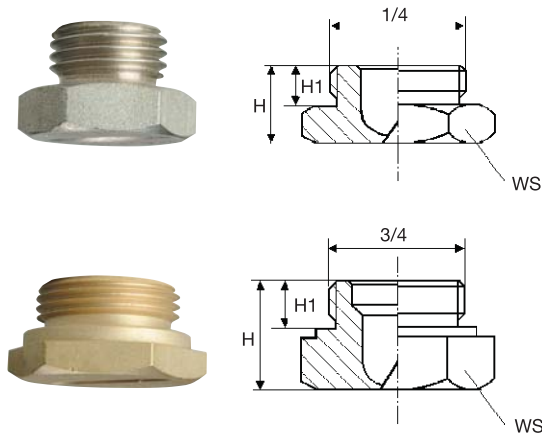


**FLAT FAN JET NOZZLES**

**GA**



**SHORT BODY**

GA type nozzles deliver a parabolic flat fan jet spray distribution pattern. This allows for obtaining an even distribution when several nozzles are assembled in a row onto a manifold. Their short body dimensions make it possible to use them in such machines or systems where the available space is very limited. GA nozzles are manufactured in two different capacity ranges out of brass or 303 stainless steel, and on request, from a choice of additional metallic and plastic materials. Because of their limited length these nozzles can only be produced with a straight BSP thread and so require some extra care when being assembled to ensure the flat fan jet alignment is correct and accurate.

Also note the different dimensions that are given in the table below for nozzles manufactured out of plastic materials.

- Materials**
- B1    AISI 303 Stainless steel
  - B31   AISI 316L Stainless steel
  - D1    PVC
  - E1    PTFE, Teflon
  - T1    Brass

*1/4 BSP Thread*

GAM 45°	GAQ 60°	GAU 90°	GAW 120°	Code	D mm	Capacity at different pressure values										lpm bar
						0.5	1.0	1.5	2.0	3.0	4.0	5.0	7.0	10		
				1310	2.0	1.27	1.79	2.19	2.53	3.10	3.58	4.00	4.74	5.66		
				1385	2.2	1.57	2.22	2.72	3.14	3.85	4.45	4.97	5.88	7.03		
				1490	2.5	2.00	2.83	3.46	4.00	4.90	5.66	6.33	7.48	8.95		
				1780	3.0	3.18	4.50	5.52	6.37	7.80	9.01	10.1	11.9	14.2		
				2124	4.0	5.06	7.16	8.77	10.1	12.4	14.3	16.0	18.9	22.6		
				2153	4.2	6.25	8.83	10.8	12.5	15.3	17.7	19.8	23.4	27.9		
				2194	5.0	7.92	11.2	13.7	15.8	19.4	22.4	25.0	29.6	35.4		

*3/4 BSP Thread*

GAM 45°	GAQ 60°	GAU 90°	GAW 120°	Code	D mm	Capacity at different pressure values										lpm bar
						0.5	1.0	1.5	2.0	3.0	4.0	5.0	7.0	10		
				2195	5.0	7.96	11.3	13.8	15.9	19.5	22.5	25.2	29.8	35.6		
				2246	5.5	10.0	14.1	17.3	20.0	24.5	28.3	31.6	37.4	44.7		
				2311	6.0	12.7	17.9	21.9	25.3	31.0	35.8	40.0	47.4	56.6		
				2490	8.0	20.0	28.2	34.6	40.0	49.0	56.6	63.3	74.8	89.5		
				2610	9.0	24.9	35.2	43.1	49.8	61.0	70.4	78.8	93.2	111		
				2760	10.0	31.0	43.8	53.7	62.1	76.0	87.8	98.1	116	139		

*Dimensions of plastic nozzles*

GA nozzles made out of plastic materials have lower material strength and therefore different dimensions; as a result they have a longer thread and also a stronger front hexagon.



Dimensions mm	Small size			Large size		
	H	H1	WS	H	H1	WS
AISI 303	12	7	17	15	8	32
AISI 316L						
BRASS						
POLYPROPYLENE	17	7	17	23	11	32
PTFE						
PVC						