

FULL CONE NOZZLES

AA

SLOTTED VANE

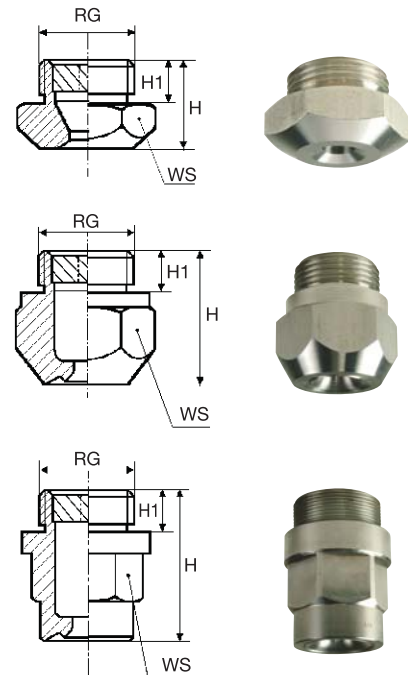
Type AA full cone nozzles are made out of a body and a slotted vane. The slotted vane design provides an even spray distribution. This type of construction offers a nozzle length generally shorter than other types, and it is used in applications where space is restricted.

Connection thread is parallel, according to BSP standards. Typical applications would be: gas cooling, washing processes and fire fighting systems.

Their compact design makes them the best choice where a plastic material like PVC, PP or PTFE is required. The robust construction of the vane prevents it collapsing when subjected to high temperature. There is also a price advantage resulting from less material being required to manufacture a nozzle of shorter length.

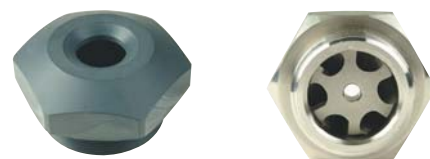
In addition these nozzles can be readily manufactured from almost any material that can be machined, making them the best choice when urgent delivery is requested.

Materials B31 AISI 316L Stainless steel
T1 Brass
D All plastic materials on request



Code	RG inch	D mm	D1 mm	Capacity at different pressure values								lpm bar	H mm	H1 mm	WS mm
				0.5	0.7	1.0	2.0	3.0	5.0	7.0	10				
90°	AAU 2305 xx	3/4	6.1	3.0	12.5	14.7	17.6	24.9	30.5	39.4	46.6	55.7	22	10	32
	AAU 2385 xx		6.7	3.0	15.7	18.6	22.2	31.4	38.5	49.7	58.8	70.3			
	AAU 2490 xx		7.8	4.0	20.0	23.7	28.3	40.0	49.0	63.3	74.8	89.4			
	AAU 2610 xx	1	9.0	4.0	24.9	29.5	35.2	49.8	61.0	78.7	93.1	111	27	12	40
	AAU 2780 xx		10.5	5.0	31.9	37.7	45.1	63.7	78.0	101	119	142			
	AAU 3123 xx	1+1/4	12.5	6.0	50.2	59.4	71.0	100	123	158	187	224	30	14	50
	AAU 3194 xx	1+1/2	16.0	6.0	79.2	93.8	112	158	194	250	296	354	35	16	60
	AAU 3310 xx	2	20.0	7.0	127	150	179	253	310	400	473	564	45	18	75
	AAU 3386 xx		23.0	9.0	158	186	223	315	386	498	589	703			
	AAU 3490 xx	2+1/2	25.0	12.0	200	237	283	400	490	632	748	894	52	22	90
AAU 3610 xx	28.5		13.0	249	295	352	498	610	787	931	1112				
AAU 3775 xx	3	32.0	16.0	317	375	448	633	775	1000	1183	1412	60	24	110	
120°	AAW 2490 xx	3/4	7.9	3.0	20.0	23.7	28.3	40.0	49.0	63.3	74.8	89.4	38	11	32
	AAW 2780 xx	1	13.7	6.0	31.9	37.7	45.1	63.7	78.0	101	119	142	47	15	40
	AAW 3123 xx	1+1/4	12.7	6.0	50.2	59.4	71.0	100	123	158	187	224	62	19	50
	AAW 3194 xx	1+1/2	16.0	6.0	79.2	93.8	112	158	194	250	296	354	77	21	50
	AAW 3310 xx	2	20.0	10.0	127	150	179	253	310	400	473	564	99	24	60
	AAW 3386 xx		22.7	10.0	158	186	223	315	386	498	589	703			
	AAW 3490 xx	2+1/2	25.5	12.0	200	237	283	400	490	632	748	894	123	27	75
	AAW 3610 xx		30	13.0	249	295	352	498	610	787	931	1112			
AAW 3775 xx	3	32.0	14.0	317	375	448	633	775	1000	1183	1412	150	30	85	

While AA type nozzles are available on request in several materials, the different sizes are normally available in stock, usually produced in brass, PVC and stainless steel 316L. Also, please note that the wrench sizes given in the above diagrammatical drawings refer to brass nozzles, while stainless steel and plastic bars may have different sizes.



AA nozzles design is ideally suited for plastic materials.

Slotted disc vane